



Industrial Grade For i.MX 8

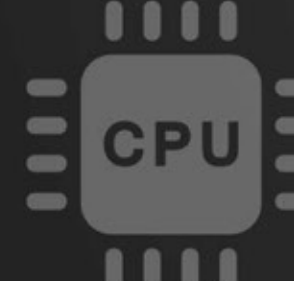
The i.MX 8M Mini is embedded multicore applications processor built using advanced process technology, providing more speed and improved power efficiency. With industrial level qualification and backed by longevity program, the i.MX 8M Mini may be used in any general purpose industrial applications.

EMBEDDED INDUSTRIAL PANEL PC

N701 Pro

The Panel PC combine advanced computing power with 7" hardened displays to provide a modular solution that enables easy customization and simplified upgrading while reducing maintenance costs. It is designed for use in monitoring and controlling production processes in industries obligated to meet high stability standards.

- 
800NITS
800 nits High Brightness
- 
PROTECTION
Multi-point Touch
- 
PROTECTION
Metal Housing
- 
ISO 7637-2
- 
Android 9.0 / Linux Debian 10




CPU
i.MX 8M Mini Cortex®-A53 1.6GHz Quad-core



OS
Android 9.0 / Linux Debian 10



Wi-Fi
IEEE 802.11a/b/g/n/ac, 2.4GHz & 5GHz



Bluetooth
Bluetooth 5.0 2402MHz ~ 2480MHz
(When Bluetooth is selected, One RS232 is unavailable)



Cellular Network
LTE, DC-HSPA+, WCDMA, GSM



GNSS
GPS, GLONASS

* Tip: Wi-fi, Bluetooth, Cellular Network and GNSS are optional wireless functions.



Flexible I/O Interfaces

Panel PC is equipped with 2×USB host ports, 1×USB Type-C port, 2×CAN, 2×LAN ports, 3×RS232 ports, 1×RS485/RS422 port and 8×GPIO to connect seamlessly with your application.

SIM Card Slot

- ① SIM card×1.

Micro SD Card Slot

- ② Micro SD card×1, support up to 512GB.

USB Ports

- ③ USB Type-C device×1;
- ⑥ USB Host×2.

Serial Ports (4 options)

- ④ 1. RS232×4 2. RS232×3 + RS485×1
 - 3. RS232×3 + RS422×1 4. RS232×2 + RS485×2
- When optional Bluetooth is selected, a RS232 is unavailable.

CAN/GPIO

- ⑤ Default CAN×1, Optional extra CAN×1;
- GPIO×8, software freely define input and output.

LAN Ports (PoE)

- ⑦ WAN 1000M×1 (PoE as option);
- LAN 100M×1.

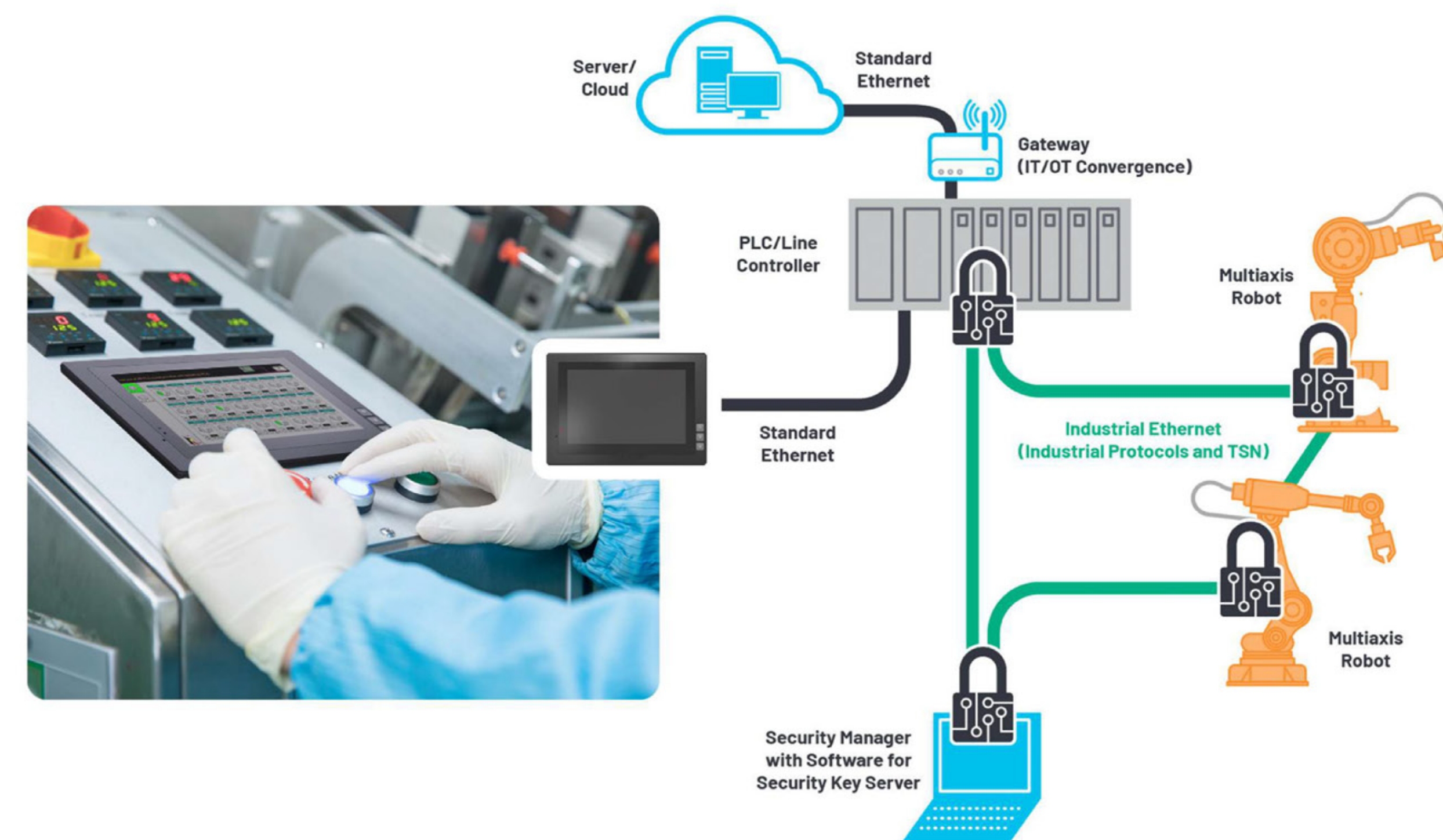
Earphone Jack

- ⑧ Stereo Audio Output (3.5mm)×1.

Power Supply

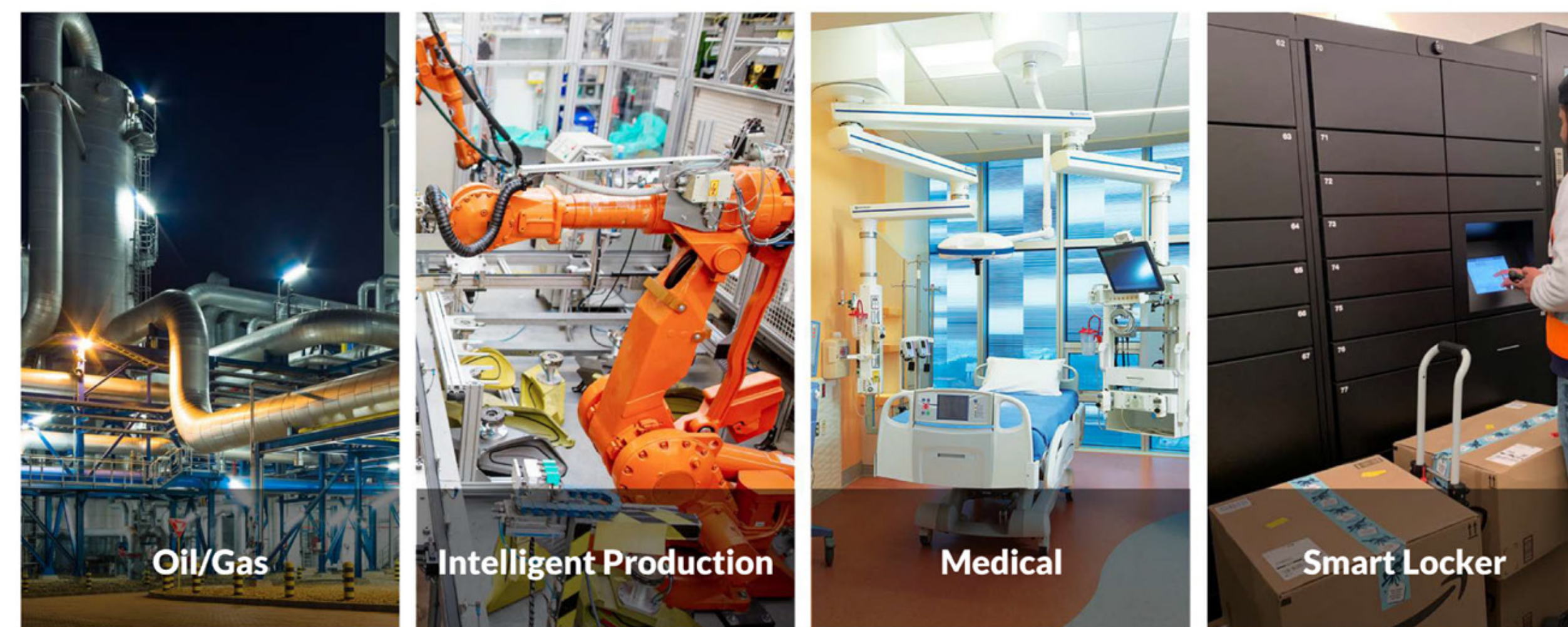
- ⑨ 3-Pin Terminal Block, DC 8-36V.

Industrial HMI



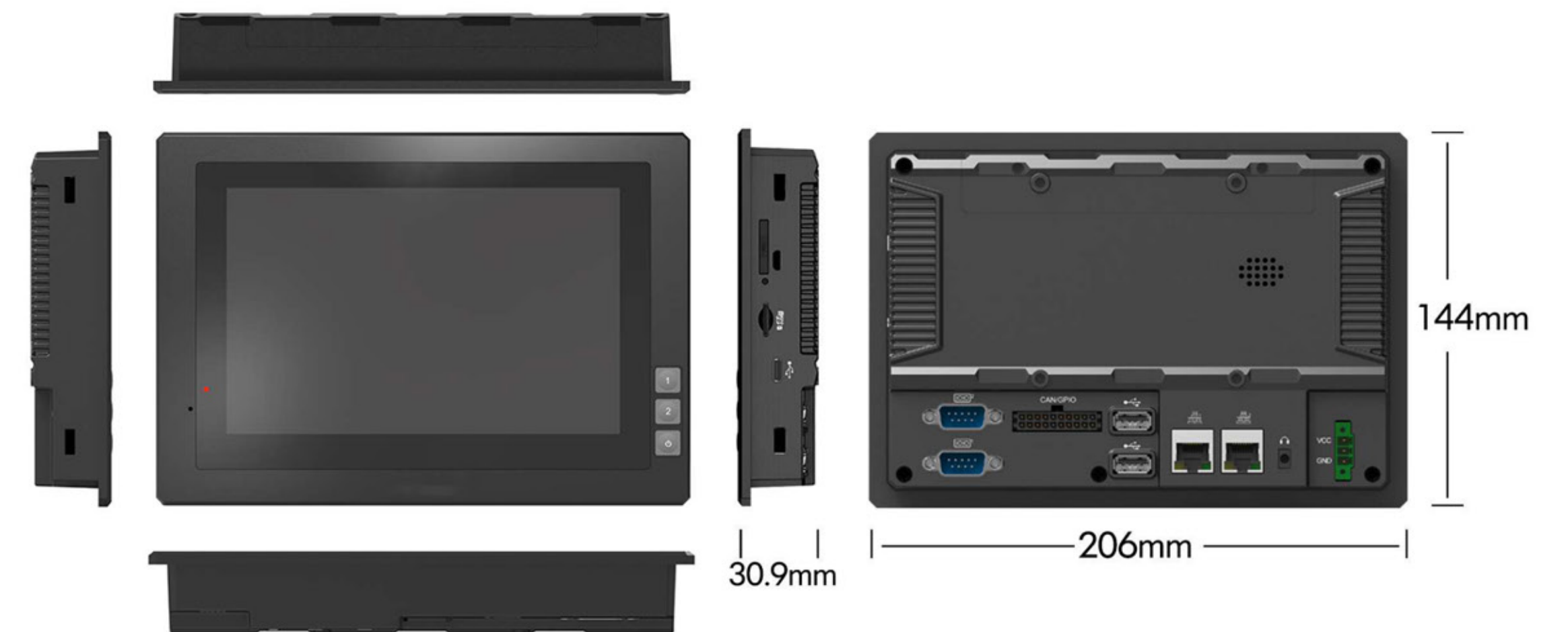
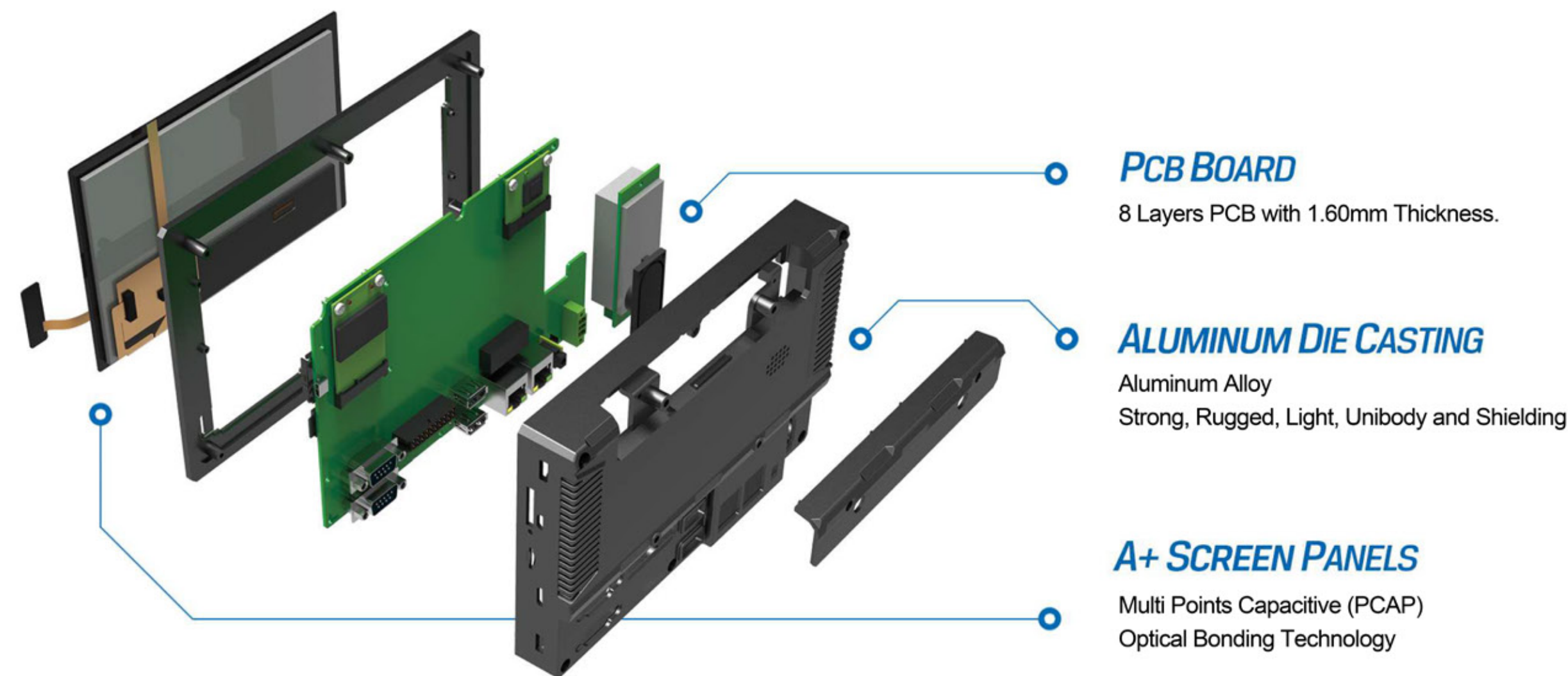
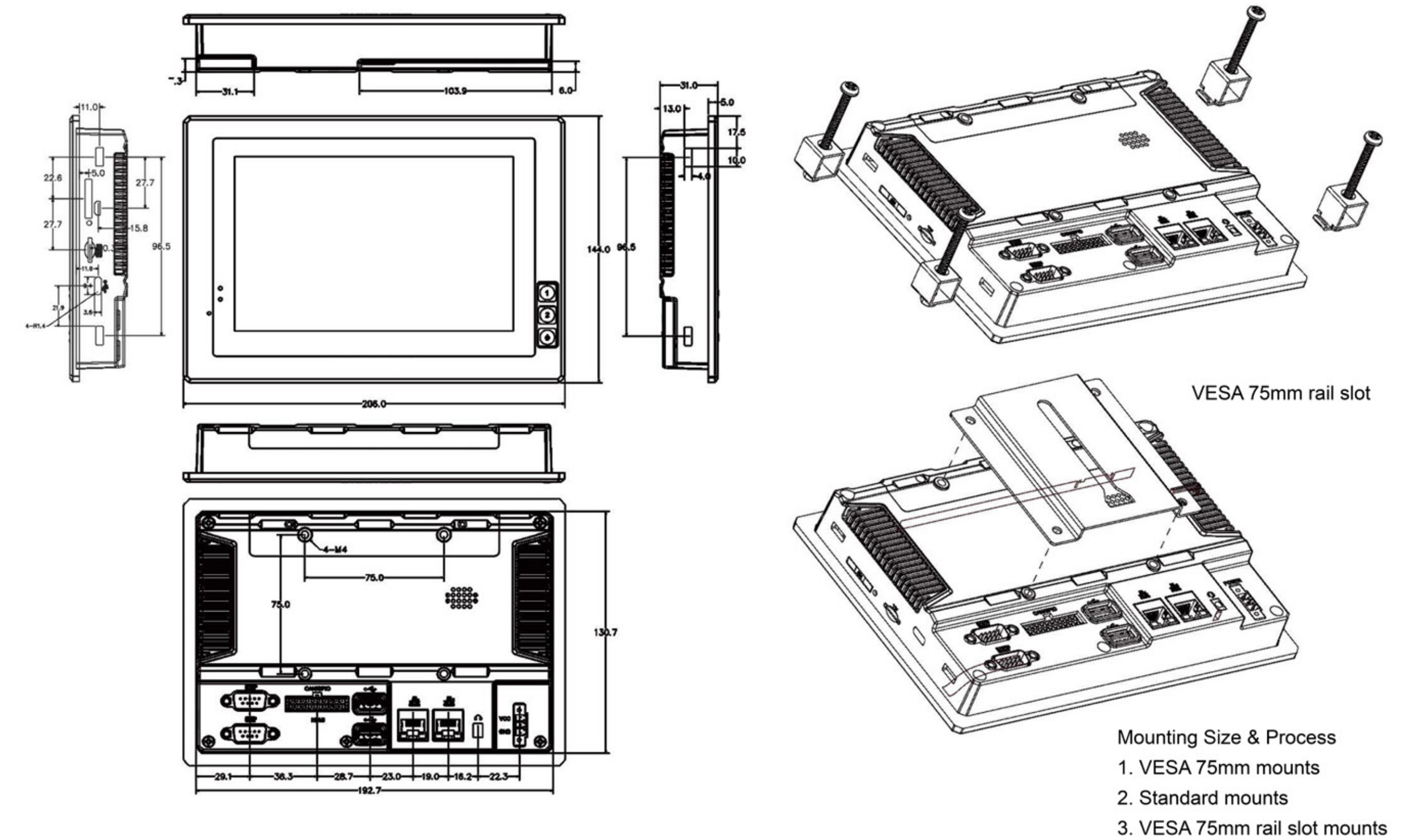
HMI Applications

Due to increasingly developed world of industrial automation, HMIs are used in a wide range of applications. As the controlling and monitoring core of automated processes, stability, efficiency and environmental adaptability are particularly important. Therefore, it is adapted to different scenarios.



Specification

SYSTEM	CPU	NXP i.MX 8M Mini Cortex®-A53 1.6GHz Quad-core processor
	OS	Android 9.0 / Linux Debian 10
	RAM + ROM	2GB LPDDR4 (4GB is optional) + 16GB Flash (64GB is optional)
	GPU	3D GPU (1xshader, OpenGL® ES2.0), 2D GPU
DISPLAY	Sensors	Gyroscope & accelerometer
	LCD	7", 1280x800, 800 nits, 170°/170° viewing angle
INTERFACES	Touch Screen	Multi-point capacitive touch screen
	LAN	1000M×1 (PoE is optional, 25W), 100M×1
	GPIO	×8 (Software freely define input and output)
	CAN	Default CAN Bus 2.0B×1, optional extra CAN Bus 2.0B×1
	COM (4 options)	1. RS232×4 2. RS232×3 + RS485×1 or 3. RS232×3 + RS422×1 4. RS232×2 + RS485×2
	SIM Slot	×1
	Micro SD Card Slot	×1, support up to 512GB
	USB	USB host×2, USB Type-C device×1
	Earphone Jack	3.5mm
	Cellular Network	3G/4G (LTE, DC-HSPA+, WCDMA, GSM)
OPTIONAL FUNCTION	Wi-Fi	802.11a/b/g/n/ac, 2.4GHZ/5GHZ
	Bluetooth	Bluetooth 5.0, 2402MHz~2480MHz
	GNSS	GPS, GLONASS
	Power Supply	DC 8~36V
POWER	Power Consumption	≤12.5W (≤2.5W when standby)
	Speaker	×1
OTHERS	Dimension	206mm×144mm×31mm
	Weight	790g
	Environment	Operating Temp: -20°C~60°C (-4°F~140°F) Storage Temp: -30°C~70°C (-22°F~158°F)



ACCESSORIES



Certification comply with FCC & CE

neway®

Quanzhou NEWAY Industrial Limited

Tel: +86-595-22519926 / Fax: +86-595-22519925

General Info: info@neway.me / Sales Dept: sales@newayil.com